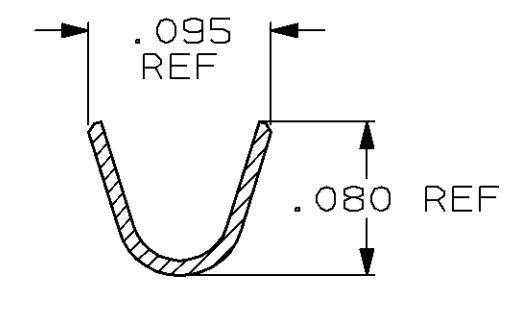
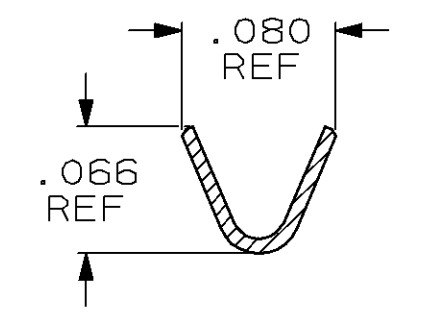
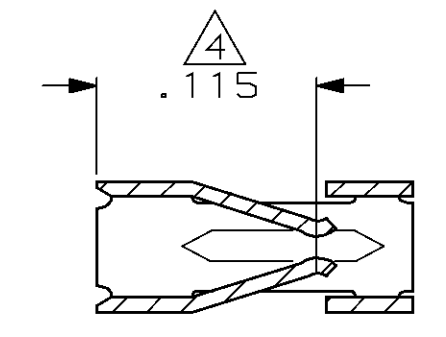
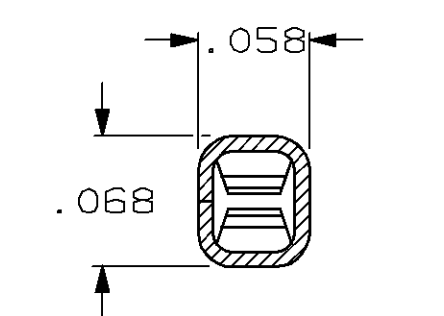
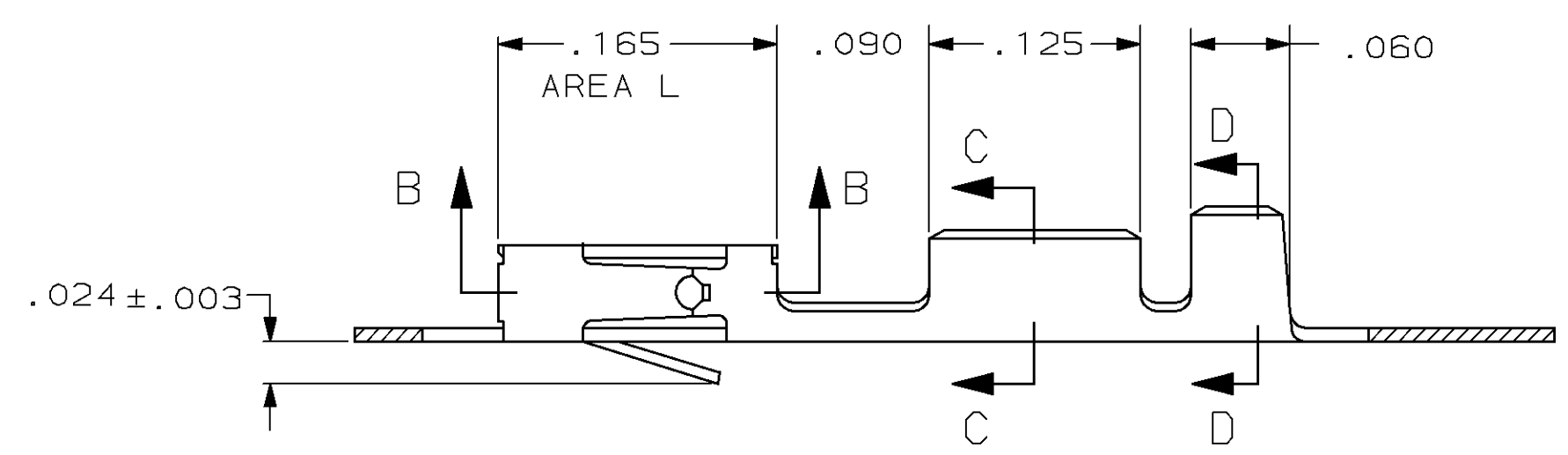
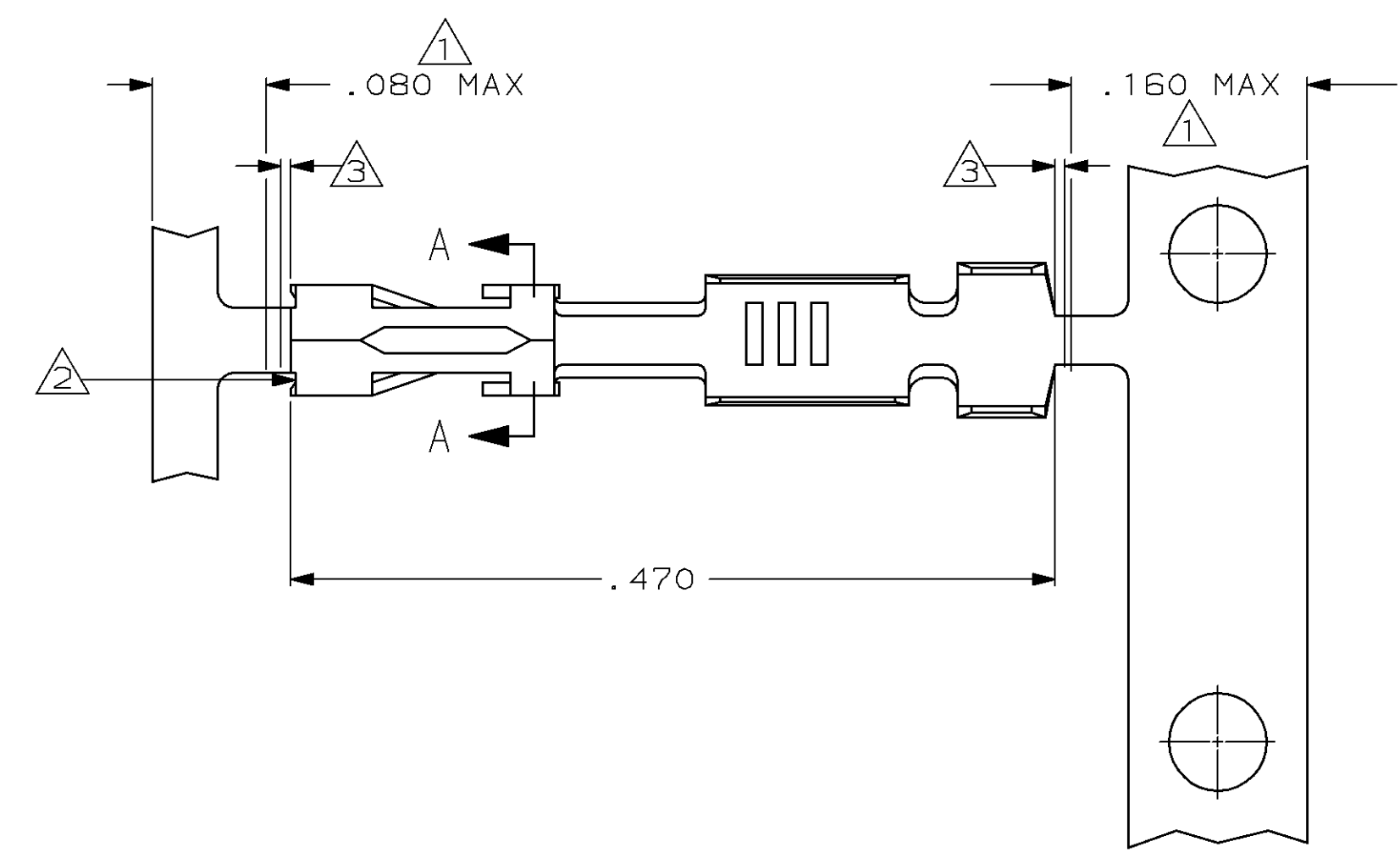


LOC	DIST	REVISIONS				
AD	00	REV	DESCRIPTION	DATE	DWN	APVD
		K	REV PER .310-0030-98	REDRAWN	25AUG98	BH BS

- 1 PLATING IS NOT REQUIRED IN THIS AREA
- 2 CUT-OUTS ON BOX AT MANUFACTURER'S OPTION
- 3 .006 MAX LOOSE PIECE CUT-OFF
- 4 POINT OF MEASUREMENT FOR PLATING THICKNESS (INSIDE BEAMS)
- 5 .000015 GOLD IN CONTACT AREA, GOLD FLASH ON REMAINDER OF TERMINAL, ALL OVER .000050 NICKEL
- 6 .000030 GOLD OVER .000050 NICKEL
- 7 .000030 GOLD IN CONTACT AREA, GOLD FLASH ON REMAINDER OF TERMINAL, ALL OVER .000050 NICKEL
- 8 PREPLATED: .000078-.000158 BRIGHT TIN.
- 9 .000030 GOLD IN CONTACT AREA, GOLD FLASH IN AREA L, ALL OVER .000050 NICKEL
- 10 .000050 GOLD IN CONTACT AREA, GOLD FLASH ON REMAINDER OF TERMINAL, ALL OVER .000050 NICKEL
- 11 SHEARED EDGES PERMITTED TO BE UNPLATED
- 12 OBSOLETE PART NUMBER.



WIRE RANGE #20-#24
SECTION C-C

INSULATION RANGE .069 MAX
SECTION D-D

12 -6	1 -	12 -7	1 - 86492 -8
12 -5	1 -	12 -4	1 - -3
87046 -4	12 -8	8	-9
-3	12 -5	7	-6
-2	12 -3	6	-4
87046 -1	12 -1	5	86492 -2
LOOSE PIECE PART NUMBER	STANDARD APPLICATOR PART NUMBER	FINISH	MINI APPLICATOR PART NUMBER

THIS DRAWING IS A CONTROLLED DOCUMENT.

DWN: L. A. MAYER 5-20-85
CHK: R. J. DAVIS 6-7-85
APP'D: C. LINDGREN 6-14-85

AMP AMP Incorporated
Harrisburg, PA 17105-3508

NAME: CONTACT, MOD IV 1/2, RECEPTACLE, CRIMP SNAP-IN

SIZE: A1 CAGE CODE: 00779 DRAWING NO: 86492

MATERIAL: BERYLLIUM COPPER .008 THICK

WEIGHT: -

CUSTOMER DRAWING

SCALE: 10:1 SHEET 1 OF 1 REV K